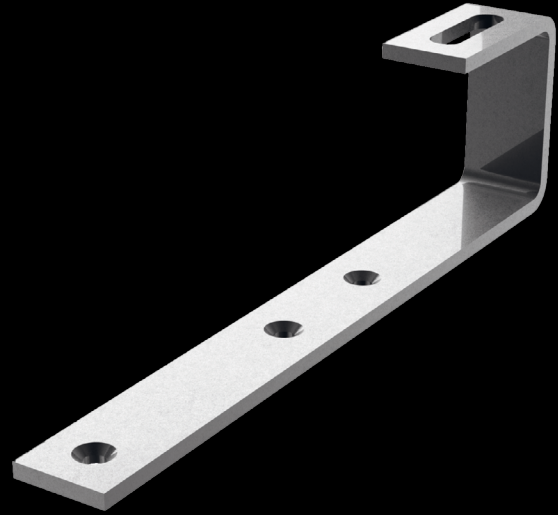




mounting
systems



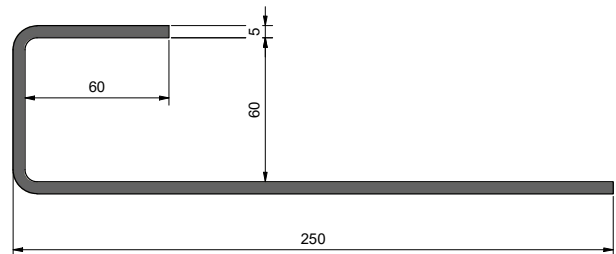
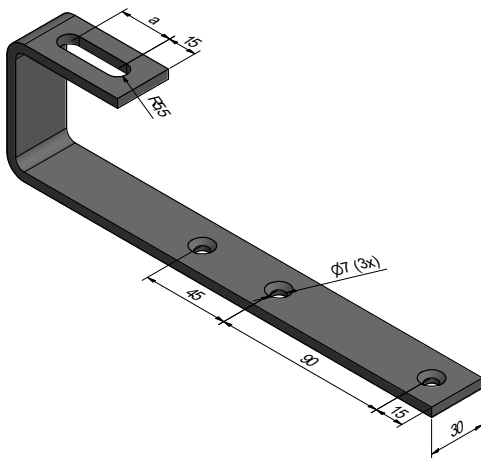
Set No.
720-1682

Ref-No.
805-0007

Roof Hook Stainless Steel 30-7-28 Slate Tiles

Roof cladding	Pitched - with slates
Material	Stainless steel A2
Total height	70 mm
Horizontal leg length	65 mm
Slot on leg	28 mm in the rail section
Drilling base plate	3 x countersunk holes \varnothing 7 mm
Weight	0.49 kg

Dimensions



Technical amendments reserved.
2024 © Mounting Systems GmbH