



mounting
systems



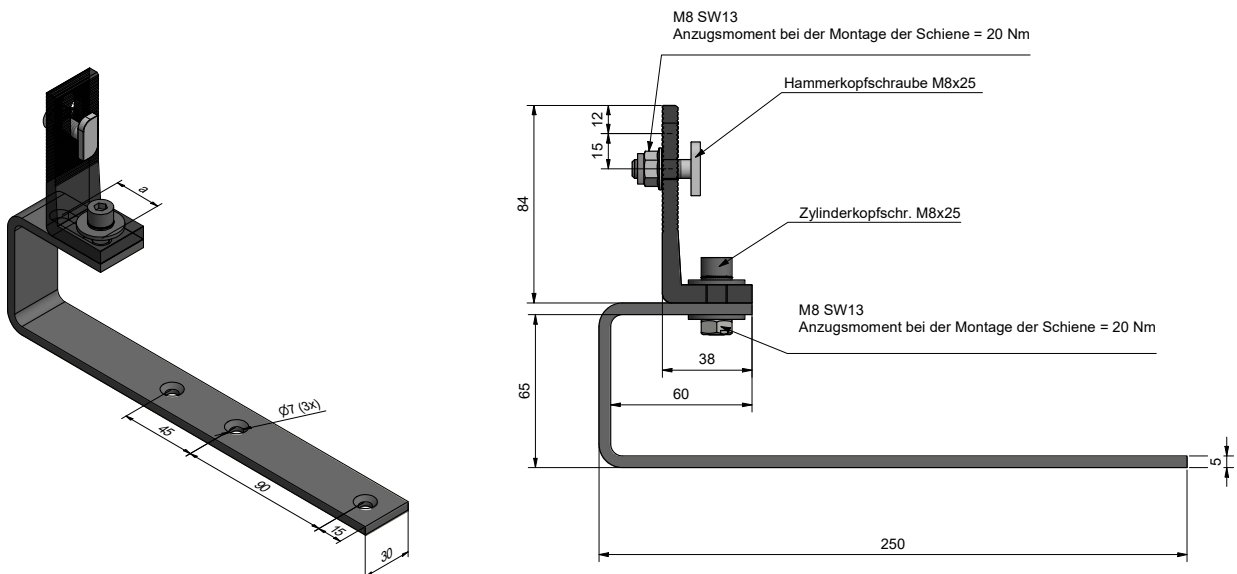
Set No.
720-1667

Ref-No.
707-0036

Roof Hook Stainless Steel 30-7-28 Slate Tiles pre-ass.

Roof cladding	Pitched - with slates
Material	Stainless steel A2
Total height	154 mm
Vertical leg length	65 mm
Slot on leg (a)	28 mm in the rail section
Drilling base plate	3 x countersunk holes \varnothing 7 mm
Weight	0.53 kg
Article addition	1 bracket 720-1651 (Aluminium EN AW-6063 T66), with slot 15 mm and \varnothing 9 mm, T-head bolt and self-locking nut M8 for connection to the base rails, pre-assembled

Dimensions



Technical amendments reserved.
2024 © Mounting Systems GmbH