



mounting
systems



Set No.
720-1737

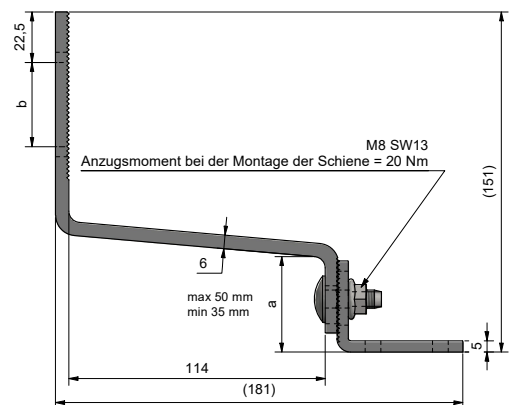
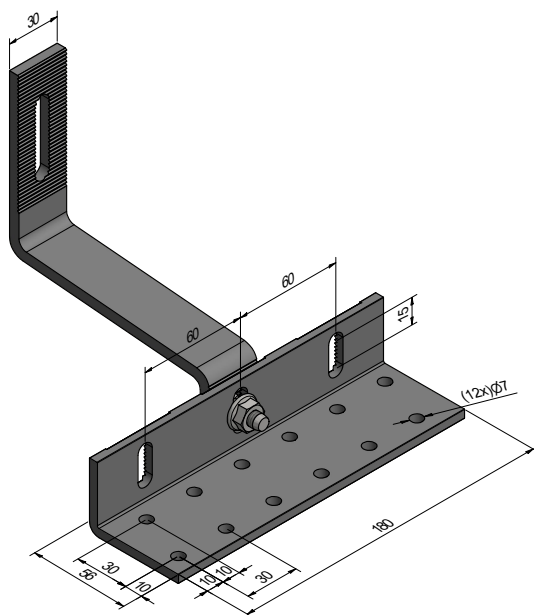
Ref-No.
805-0071

Roof Hook Stainless Steel 180-7-35

2times adjustable

Roof cladding	Pitched - with roof tiles
Material	Stainless steel A2
Total height	151 mm
Height in roof batten area (a)	35 – 50 mm
Max. height adjustance (b)	38 mm to rail area
Drilling base plate	12 x \varnothing 7 mm
Weight	0.95 kg

Dimensions



Technical amendments reserved.
2024 © Mounting Systems GmbH