



mounting  
systems



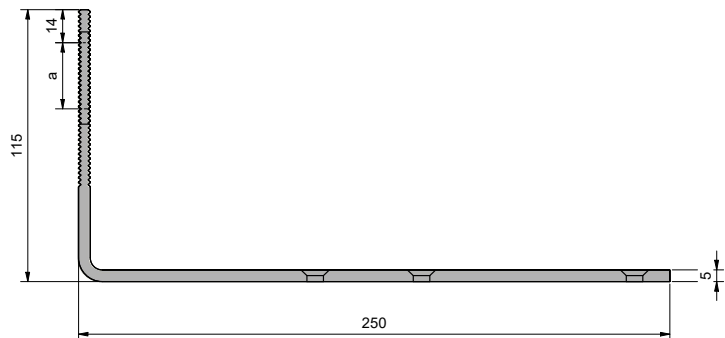
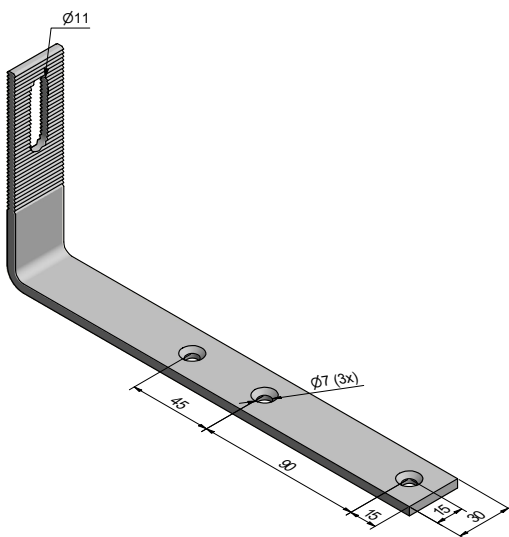
Set No.  
720-1726

Ref-No.  
805-0048

## Stainless Steel Roof Hook for Slate

Roof cladding	Pitched - with slates
Material	Stainless steel A2
Total height	115 mm
Lower leg length	250 mm vertical
Max. height adjustance (a)	28 mm to rail area
Drilling base plate	3 x countersunk holes $\varnothing$ 9 mm
Weight	0.40 kg

### Dimensions



Technical amendments reserved.  
2024 © Mounting Systems GmbH