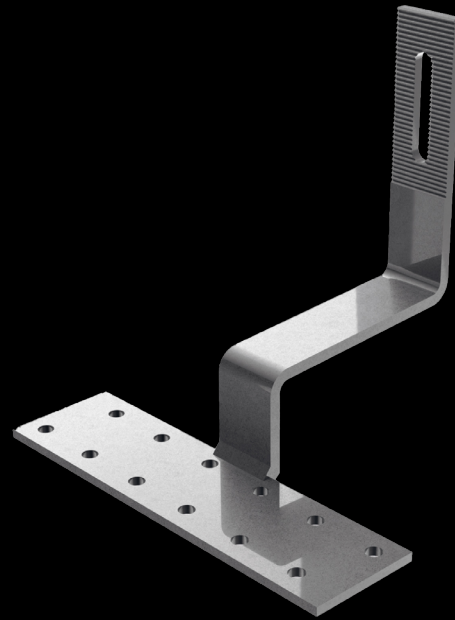




mounting  
systems



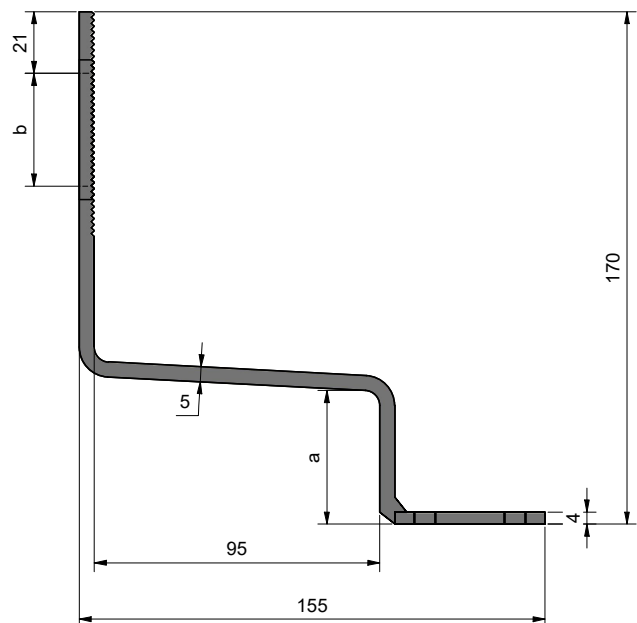
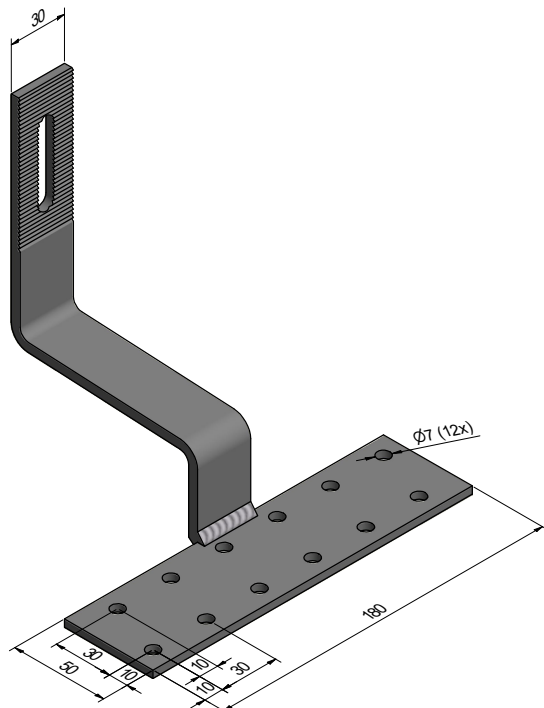
Set No.  
720-1716

Ref-No.  
805-0010

## Roof Hook Stainless Steel 180-7-45

Roof cladding	Pitched - with roof tiles
Material	Stainless steel A2
Total height	170 mm
Height in roof batten area (a)	45 mm
Max. height adjustance (b)	38 mm to rail area
Drilling base plate	12 x $\varnothing$ 7 mm
Weight	0.60 kg

### Dimensions



Technical amendments reserved.  
2024 © Mounting Systems GmbH