



mounting
systems



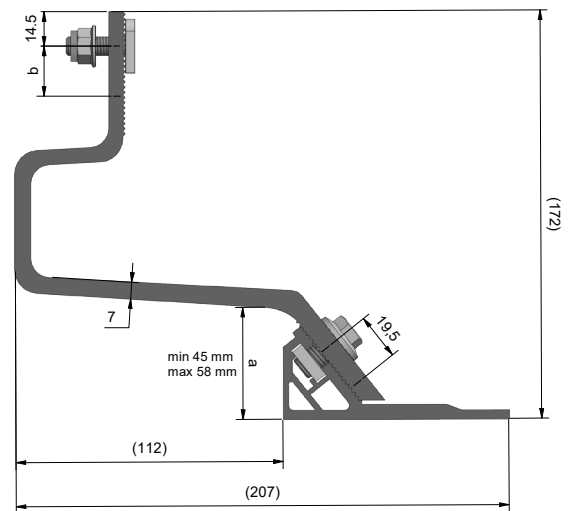
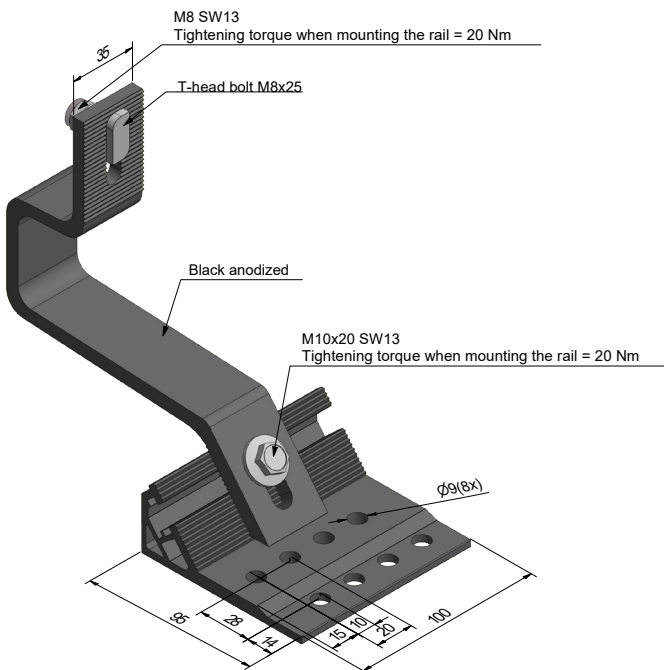
Set No.
721-0412

Ref-No.
707-0213

Roof Hook Aluminum 100-9-45 pre-ass. Black

Roof cladding	Pitched - with roof tiles
Material	Aluminium (EN AW-6082 T6)
Base plate	100 x 95 mm (W x L)
Drilling base plate	8 x \varnothing 9 mm
Height in roof batten area (a)	45 – 58 mm
Max. height adjustance (b)	21 mm to rail area
Weight	0.46 kg

Dimensions



Technical amendments reserved.
2024 © Mounting Systems GmbH