



mounting  
systems

Set No.  
720-1813

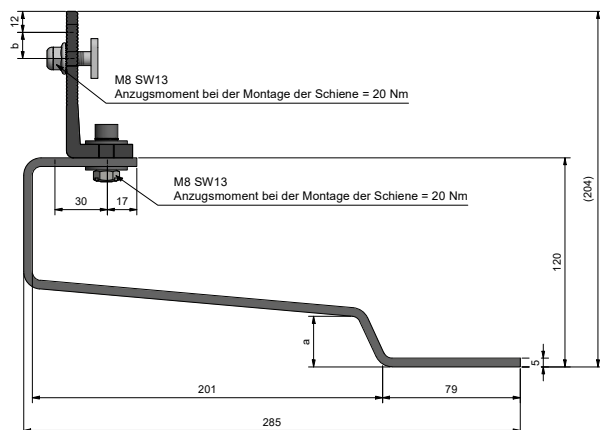
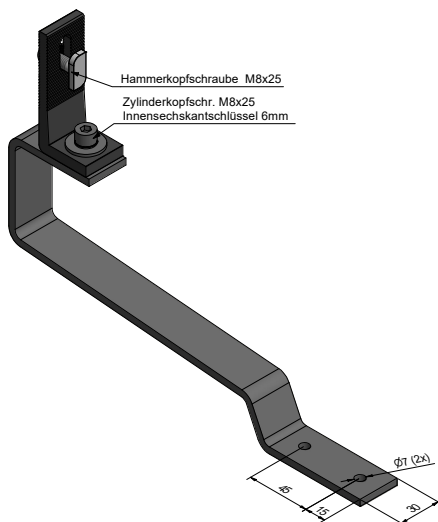
Ref-No.  
707-0212



## Roof Hook Stainless Steel 30-7-29 Plain Tiles pre-ass.

Roof cladding	Pitched - with plain tiles
Material	Stainless steel A2
Total height	204 mm
Lower leg length	285 mm
Height in roof batten area (a)	29 mm
Max. height adjustance (b)	15 mm to rail area
Drilling base plate	2 x $\varnothing$ 7 mm
Weight	0.60 kg
Article addition	The pre-assembled variant includes besides the roof hook: 1 bracket 84 x 40 x 7.75 mm, with slot 15 mm and $\varnothing$ 9 mm, T-head bolt and self-locking nut M8 for connection to the base rails, pre-assembled

### Dimensions



Technical amendments reserved.  
2024 © Mounting Systems GmbH