



mounting
systems



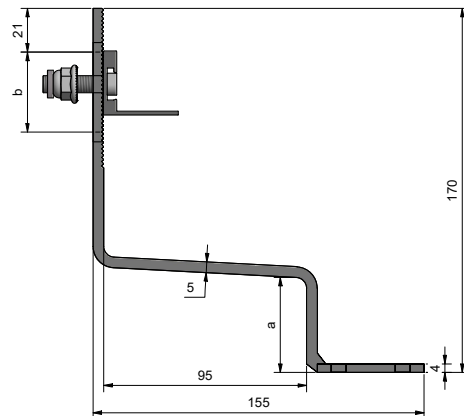
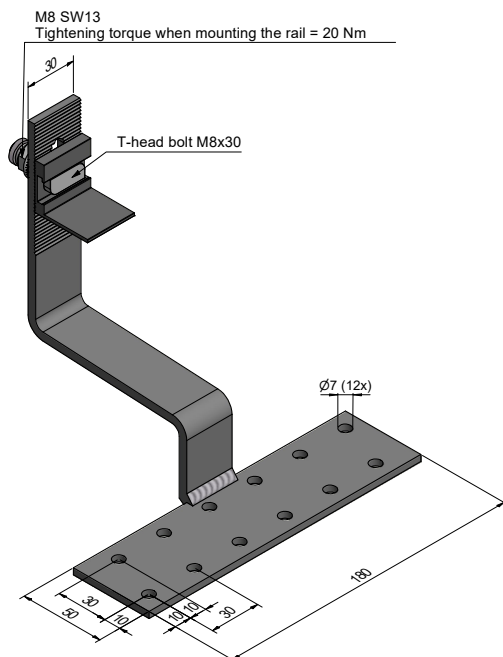
Set No.
720-1730

Ref-No.
707-0202

Roof Hook Stainless Steel 180-7-45 - Comfort

Roof cladding	Pitched - with roof tiles
Material	Stainless steel A2
Total height	170 mm
Height in roof batten area (a)	45 mm
Max. height adjustance (b)	38 mm to rail area
Drilling base plate	12 x \varnothing 7 mm
Weight	0.61 kg
Articel addition	In the comfort version are support bracket for the base rails and small parts for the rail connection to the roof hooks pre-assembled

Dimensions



Technical amendments reserved.
2024 © Mounting Systems GmbH