



mounting  
systems



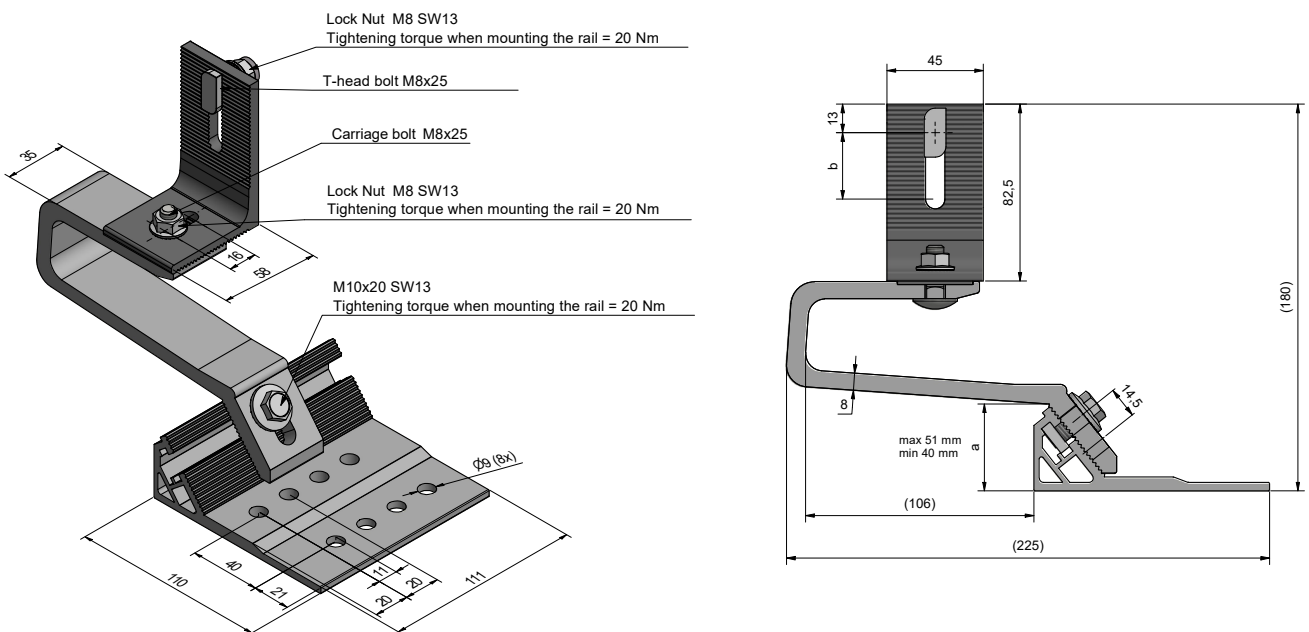
Set No.  
721-0070

Ref-No.  
707-0053

## Roof Hook Aluminum 111-9-40 Vario pre-ass.

Roof cladding	Pitched - with roof tiles
Material	Aluminium (EN AW-6082 T6 and EN AW-6063 T66)
Base plate	111 x 100 mm (W x L)
Drilling base plate	8 x $\varnothing$ 9 mm
Height in roof batten area (a)	40 – 51 mm
Max. height adjustance (b)	21 mm to rail area
Weight	0.63 kg
Article addition	With adjustable bracket for vertical and horizontal installation of the system support profile

### Dimensions



Technical amendments reserved.  
2024 © Mounting Systems GmbH