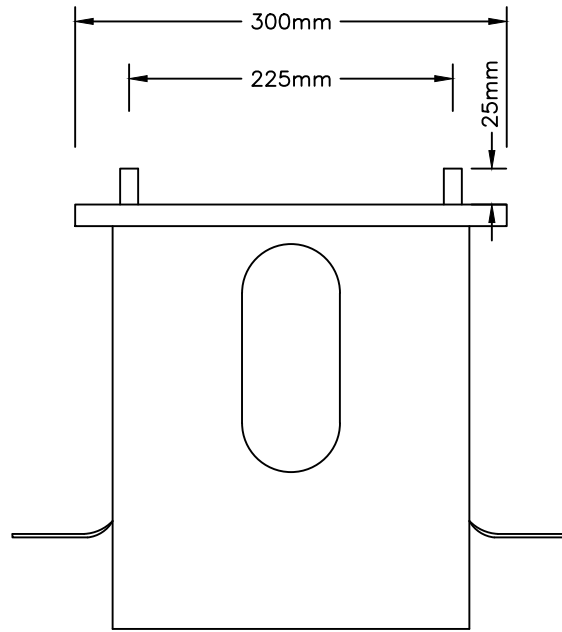
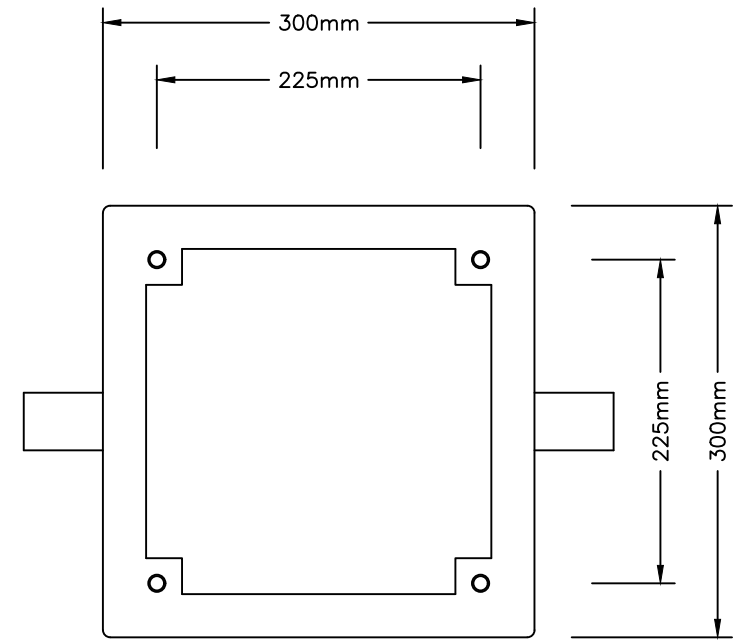


FRONT VIEW




SIDE VIEW



TOP VIEW

ULTRACHARGE 30 GALVANISED MOUNTING BASE

CODE: GMUC0010 BARCODE: 5060723057298

			PROJECT:	DWG NO: GMUC0010	REVISION: -
			CLIENT:	DRAWN: FC	DATE: 12/09/2024
			TITLE: ULTRACHARGE 30 GALVANISED MOUNTING BASE	SCALE: NTS	SIZE: A4
			 <small>RALPHS LANE, FRAMPTON WEST, BOSTON, LINCOLNSHIRE, ENGLAND, PE20 1QU</small> <small>WWW.ROLECSERV.COM T: +44 (0)1205 724754</small>		
REVISION DETAILS:	REV:	DATE:			