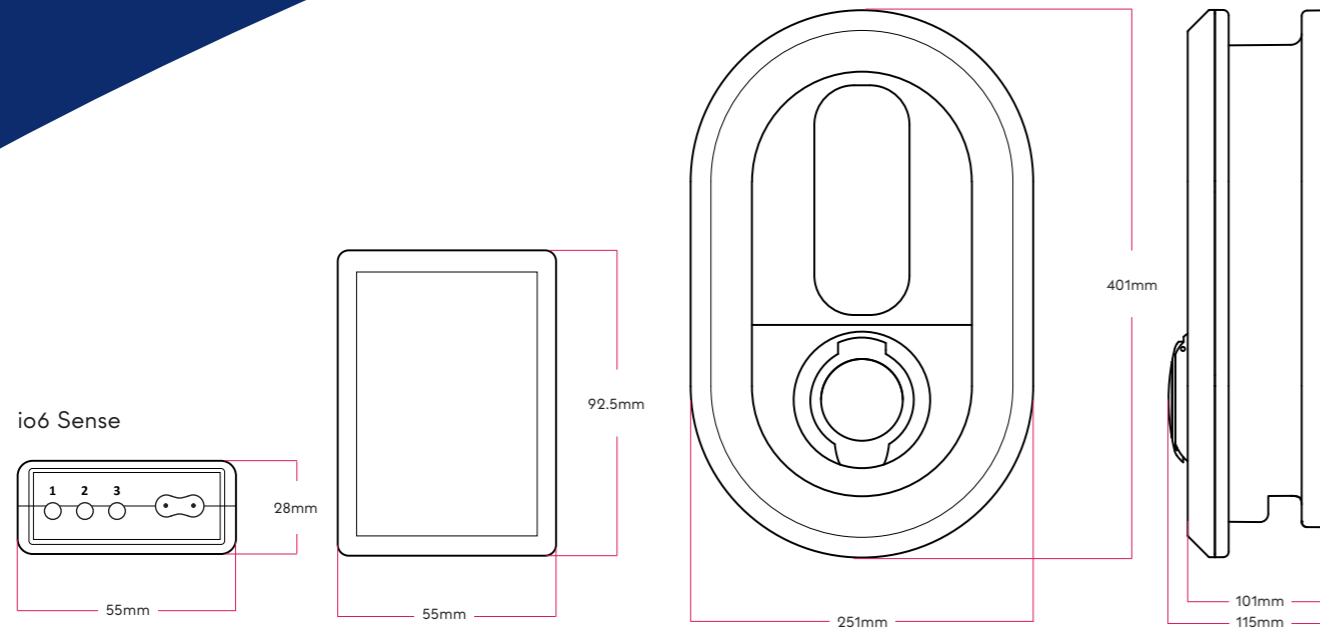




io6 Specifications



io6 Specifications



RFID/OCPP | Pen Fault | io6 Sense can be added

Part Number	Description
io674SKT - W	io6 7.4kW Socket
io674T50 - W	io6 7.4kW, 5m
io674T75 - W	io6 7.4kW, 7.5m

RFID/OCPP | io6 Sense can be added

Part Number	Description
io622SKT - W	io6 11-22kW Socket
io622T50 - W	io6 11-22kW, 5m
io622T75 - W	io6 11-22kW, 7.5m

RFID/OCPP | Pen Fault | io6 Sense can be added | 4G

Part Number	Description
io674SKT	io6 4G 7.4kW Socket
io674T50	io6 4G 7.4kW, 5m
io674T75	io6 4G 7.4kW, 7.5m

RFID/OCPP | io6 Sense can be added | 4G

Part Number	Description
io622SKT	io6 4G 11-22kW Socket
io622T50	io6 4G 11-22kW, 5m
io622T75	io6 4G 11-22kW, 7.5m

Dimensions and Specifications

Charging system	IEC 61851 Mode 3
Power input	Single phase or 3 phase, 230-400V AC, 16A and 32A
Power output	3,7kW, 7,4kW, 11kW, 22kW
Protections	6mA DC leakage, Pen Fault on single phase versions
Housing	PC/ABS-V0
Dimensions	400mm x 250mm x 105mm
Weight	4kg
Enclosure rating	IP54
Operating temperature	-25 C to +40 C
Marking	UKCA

Design Features

Easy installation	Smart housing design allows quick mounting and cable connections
Pole or wall mounted	Drill template supplied. Single or double pole mount available
Built in RCD	6mA DC fault protection
Integrated cable hub	Straight and coiled cables can easily be wound around the charger - no additional hub required
Multiple cable options	Choose between coiled, tethered or untethered with a range of cable lengths available
LED charging indicator	Visible feedback on charging status supported by the Ratio EV charging app
Rugged design	Housing made out of durable polycarbonate with high impact resistance, extra UV protection and flame retardant properties. Made to last
Optional io6 Sense	Measures power usage at the mains connection to provide optimal charging speed without overload (Dynamic load management)
Pen Fault detection	Eliminates the need for an earth electrode/rod, single phase versions only

Compliance

Standards	LVD 2014/35/EU, EMCD 2014/30/EU, BS EN61851-2019, EN61000-2, EN61000-3, CE Certified, BS7671-2018
GDPR	Your privacy and sensitive data is handled with care and in compliance with GDPR
OZEV	OZEV grant approved

Charging Features

Options	Single phase 32A 7.4kW to three phase 32A 22kW options
Energy meter	Built-in energy meter (non-MID)
Suitability	Suitable for home and office application
Power sharing	Connect up to 4 chargers on one grid connection. Available power will be distributed evenly to connected EVs. Alternatively, load management can be controlled at Cloud level via OCPP.
Dynamic load management	Automatically optimise your power supply safely from your mains connection
Solar charging	Prioritises your power consumption by utilising solar energy when available

Connectivity

Ratio EV charging app	Provides full control and visibility over your charging sessions (Android and iOS)
Bluetooth low energy	To simplify and secure charge point installation
Ethernet/Wi-Fi/4G	Ethernet, Wi-Fi or 4G connection to the Ratio Cloud. Safe and secure storage of your charging data using AWS technology complying with UK regulations.
Commissioning	Full configuration of the charger set up using the Ratio EV charging app, with settings stored in the Ratio cloud
Multi user	Multi charger, Multi EV. Manage access and sessions for all users, chargers and EVs
Secure authentication	Protect your charger from unauthorised use using the Ratio app, alternatively use the plug and charge mode for fast and easy access
Session planning	Predefined planned charging sessions to take advantage of low cost tariffs
Monitor charging sessions	Use the Ratio app to monitor live charging status
View charging history	Summarise your charging session for any timeframe filtering by user, charger and EV
Configurable cable lock	Option to lock the cable into charger
RFID	RFID access as standard
Connectivity	OCPP enables connection to any 3rd party back office

Sustainability

Low Carbon footprint	Locally sourced materials and production
Easy maintenance	All parts are serviceable prolonging the lifespan and reducing waste
Over-the-air updates	Enabling upgrades and futureproofing without need for replacement
Energy transition	Smart functions help solving grid congestion and allow the transition to E-mobility

Charging Accessories

Visit ratioev.uk for more info

To complement its charging solutions, Ratio also designs and manufactures a range of charging cables and mobile chargers, to connect to a wide range of electrical connections.



Learn about the **Ratio io5**



Learn about the **Ratio io7**



Unit 1 | Target Park | Shawbank Rd | Redditch | B98 8YN
+44 (0) 1527 396900 | info@ratioev.uk

ratioev.uk