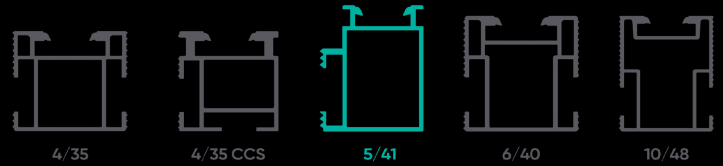
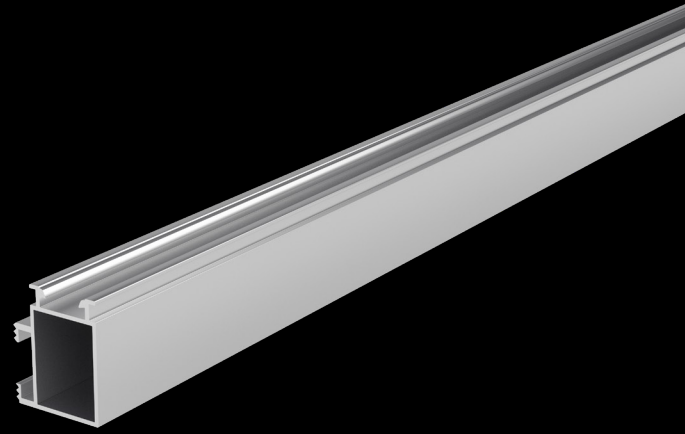


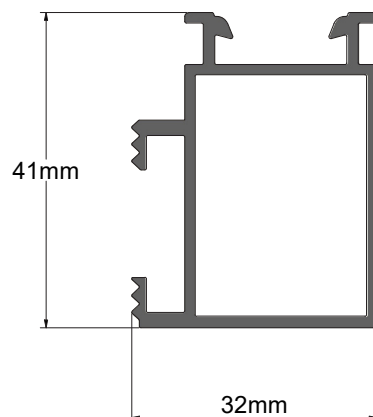


mounting  
systems



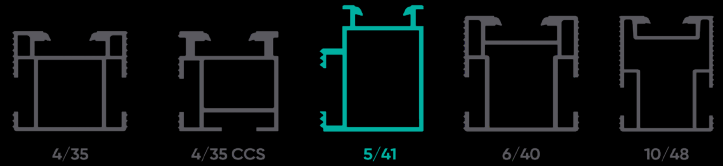
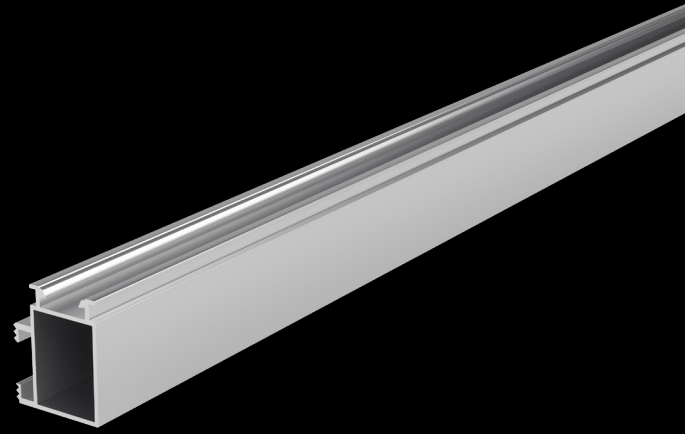
## Base Rail 5/41\*

Application	Pitched
Material	Aluminium (EN-AW-6063 T66)
Colour	Aluminium: Natural, black anodised
Weight	0.62 kg/m
Dimensions H x W	41 x 32 mm
Static values	$I_x$ 4.662 cm <sup>4</sup> $I_y$ 2.746 cm <sup>4</sup> $W_x$ 2.191 cm <sup>3</sup> $W_y$ 1.646 cm <sup>3</sup> $A$ 2.297 cm <sup>2</sup>
Article addition	Lateral connection with t-head bolt with lock nut. Top connection with Clickstone possible, but no t-head bolt with lock nut connection.
Accessories	Connector 5/41 with grounding (720-1740) Connector 5/41 (720-1739) End Cap 5/41 Grey (720-1893) End Cap 5/41 Black (720-1894)





mounting  
systems



## Base Rail 5/41\* – Length

Length	Colour	Item No.	Ref. No.
2250mm	Natural	610-0119	610-0119
2400mm	Natural	610-0075	610-0075
2500mm	Natural	610-0141	610-0141
	Black anodised	610-0142	610-0142
3200mm	Natural	800-0107	800-0107
3300mm	Natural	800-1409	800-1409
3600mm	Natural	800-1448	800-1448
	Black anodised	800-1449	800-1449
4200mm	Natural	800-0106	800-0106
4400mm	Natural	800-1408	800-1408
6000mm	Natural	800-1407	800-1407
	Black anodised	800-1471	800-1471
6200mm	Natural	800-0105	800-0105

\* The first number in the designation of the rail profiles stands for the moment of inertia cm<sup>4</sup> and the second number describes the height mm of the rail.



Technical amendments reserved.  
2024 © Mounting Systems GmbH