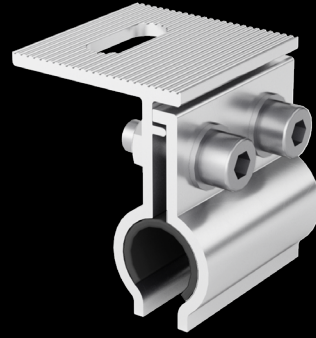




mounting
systems



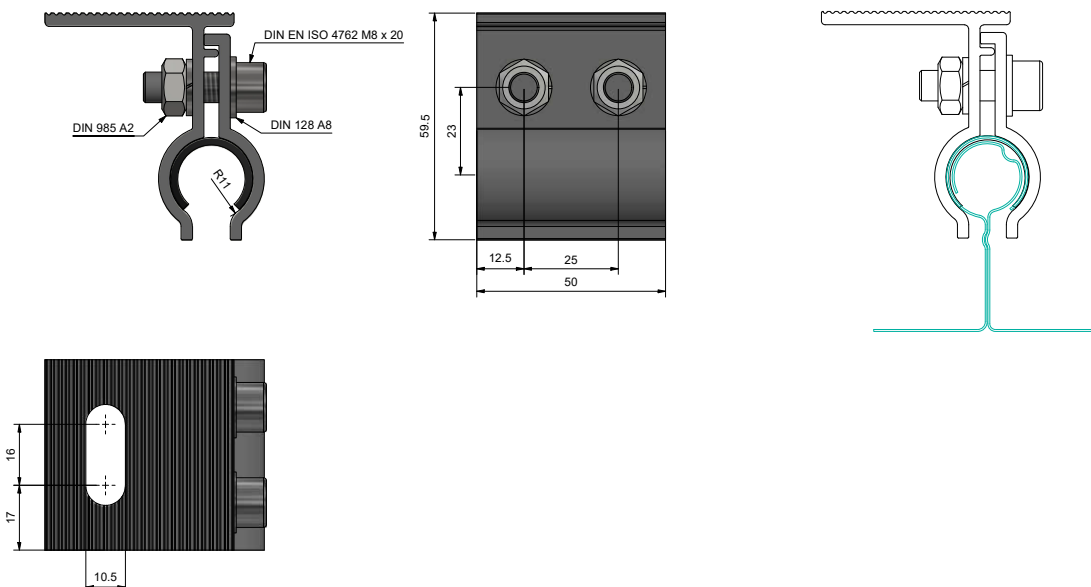
Set No.
805-0169

Ref-No.
805-0169

Kalzip Clamp

Roof cladding	Fastening on Kalzip roofs without drilling
Material	Aluminium
Dimensions	50 x 59.5 mm (L x H)
Weight	0.132 kg
Fastening	2 screws and nuts allow the clamp to be attached to the roof.
Additional information	Specially designed for metal roofs with round seam profiles with a diameter of up to 22mm, e.g. from Kalzip®, Bemo®, Aluform, Kingspan, Euroseam, etc..
	The installation area is protected by an EPDM seal.

Dimensions



Technical amendments reserved.
2024 © Mounting Systems GmbH