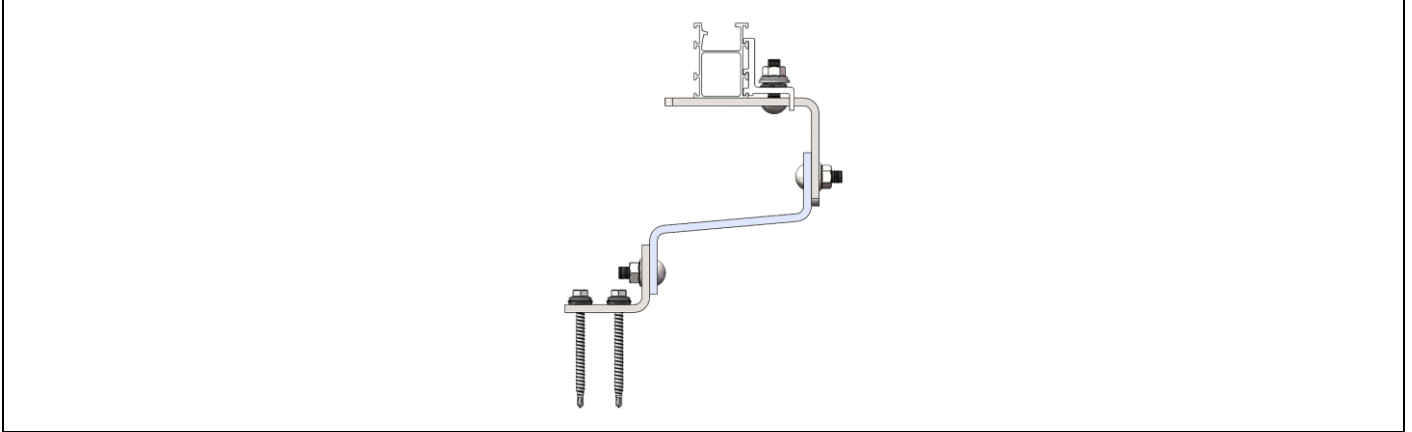
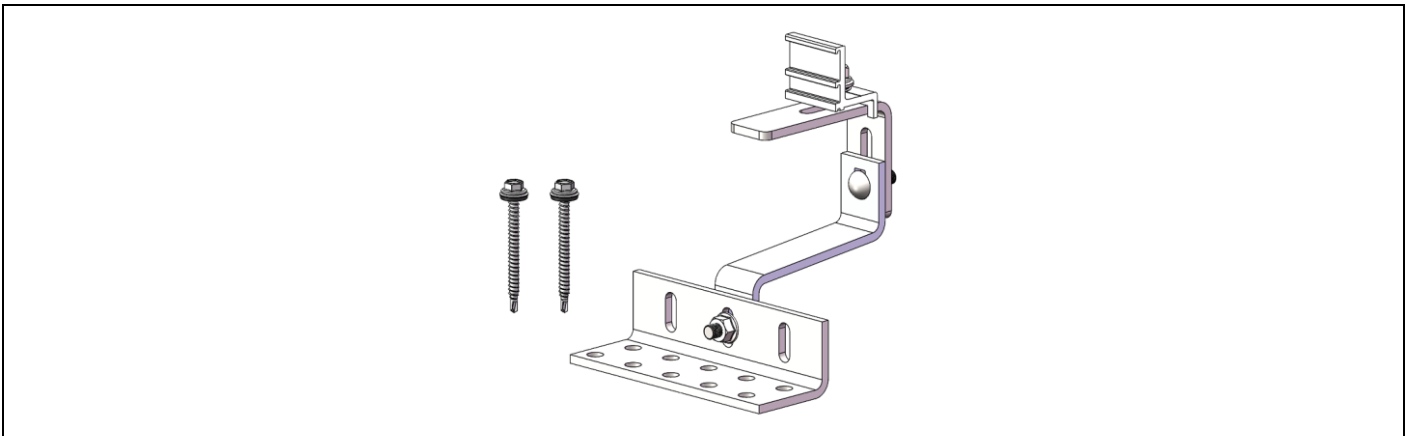


Two way Adjustable Roof Hook 40-60mm, with PRO-Rail Clamp

Assembly

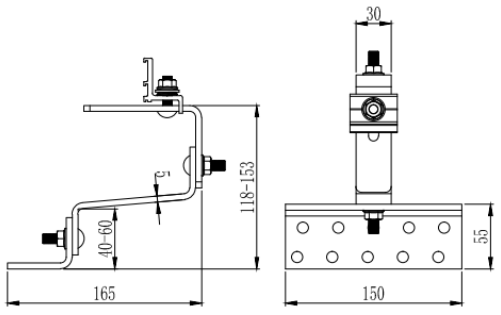


Component



Two way Adjustable Roof Hook 40-60mm, with PRO-Rail Clamp
Part No.: ER-I-PRO/01DA (bar code: 12-003-00163)

Technical Specification

Application	Tile Roof with Metal or Timber Purlin	
Screw Specification	2 x Buildex 14-11 x 70 (14 gauge, 6.3 mm, 11 TPI, 70 mm long) Hex Head Zips Screw	
Dimensions	L165*W150*H118-153*T5mm	
Weight	1.009 kg	
Packaging	12 units per pack, 2 packs (24 units) per carton	
Material	Roof Hook: SUS304 Bolts/Washer/Nuts/Spring: SUS304 Rail Clamp: AL6005-T5	
Standard	GB50797 AS NZS1170.2 EN1991 JISC8955 ASCE 7-10	