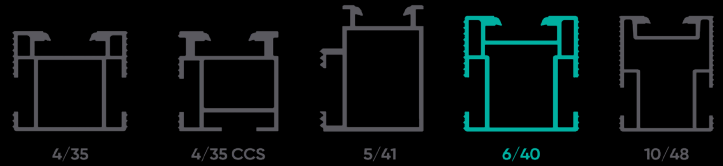
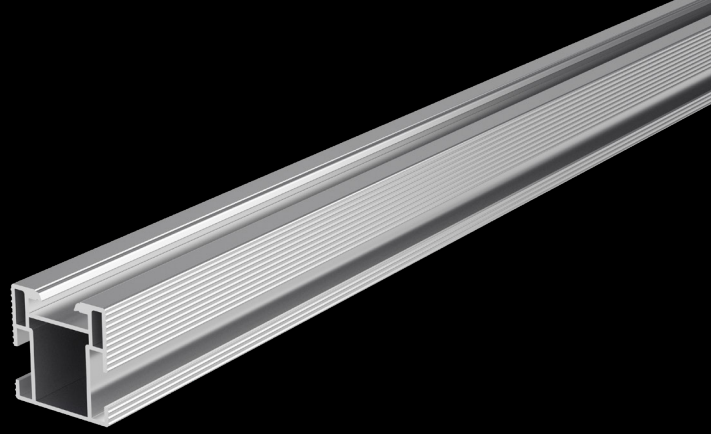


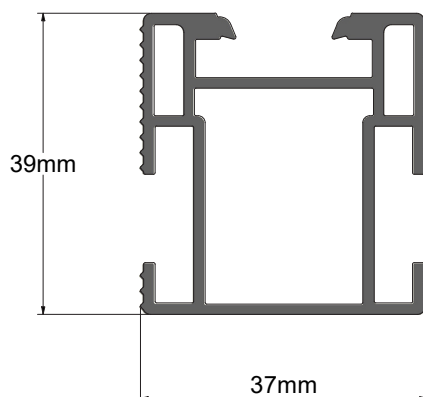


mounting
systems



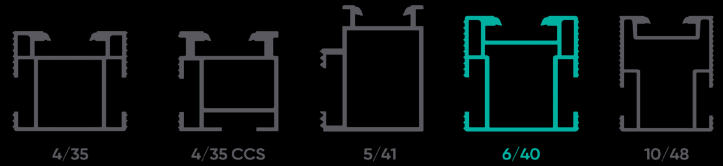
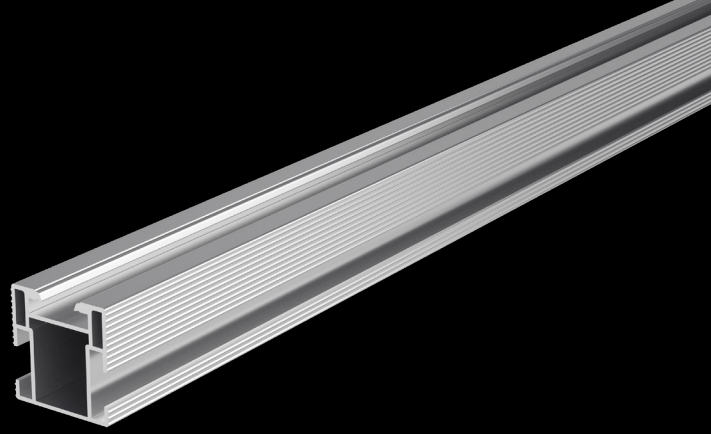
Base Rail 6/40*

Application	Pitched
Material	Aluminium (EN-AW-6063 T66)
Colour	Aluminium: Natural, black anodised
Weight	0.89 kg/m
Dimensions H x W	39 x 37 mm
Static values	I_x 5.967 cm ⁴ I_y 5.495 cm ⁴ W_x 2.808 cm ³ W_y 2.944 cm ³ A 3.297 cm ²
Article addition	Lateral connections with t-head bolt with lock nut. Top connection with Clickstone and t-head bolt with lock nut connection for the additional component possible.
Accessories	Connector 6/40 (720-1670) End Cap 6/40 Grey (720-1629) End Cap 6/40 Black (720-1632)





mounting
systems



Base Rail 6/40* – Length

Length	Colour	Item No.	Ref. No.
600mm	Black anodised	610-0714	610-0714
2400mm	Natural	610-0070	610-0070
2500mm	Natural	800-1454	800-1454
	Black anodised	800-1455	800-1455
3150mm	Natural	800-0019	800-0019
3300mm	Natural	800-1412	800-1412
3600mm	Natural	800-1459	800-1459
	Black anodised	800-1460	800-1460
4150mm	Natural	800-0017	800-0017
4400mm	Natural	800-1411	800-1411
5200mm	Natural	800-1319	800-1319
6000mm	Natural	800-1057	800-1057
	Black anodised	800-1470	800-1470

* The first number in the designation of the rail profiles stands for the moment of inertia cm⁴ and the second number describes the height mm of the rail.

