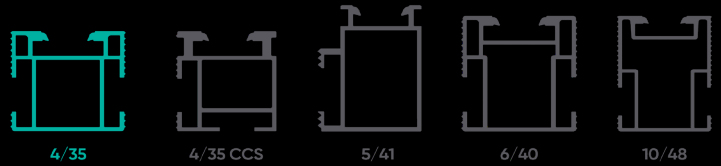
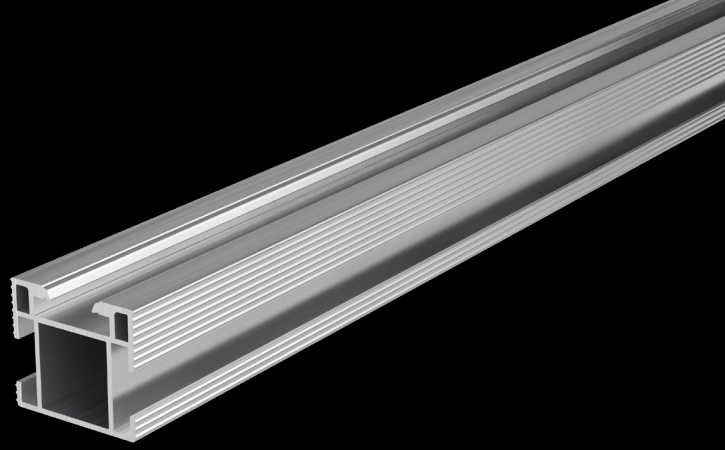


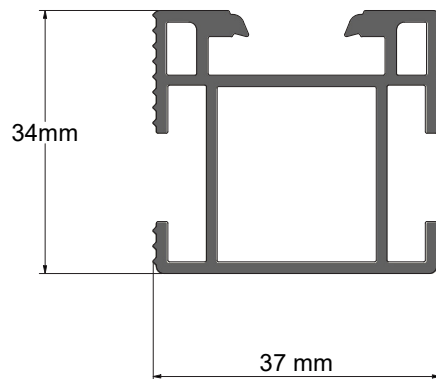


mounting
systems



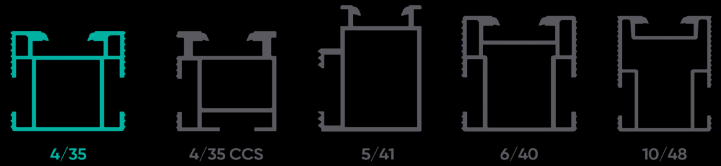
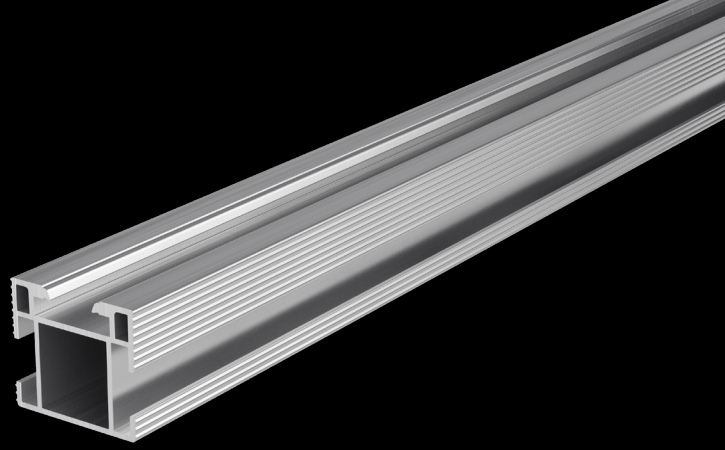
Base Rail 4/35*

Application	Pitched
Material	Aluminium (EN-AW-6063 T66)
Colour	Aluminium: Natural, black anodised
Weight	0.81 kg/m
Dimensions H x W	34 x 37 mm
Static values	I_x 4.332 cm ⁴ I_y 4.768 cm ⁴ W_x 2.342 cm ³ W_y 2.555 cm ³ A 2.995 cm ²
Article addition	Lateral connections with t-head bolt with lock nut. Top connection with Clickstone and t-head bolt with lock nut connection possible for the additional component.
Accessories	Connector 4/35 (720-1669) End Cap 4/35 Grey (720-1628) End Cap 4/35 Black (720-1631)





mounting
systems



Base Rail 4/35* – Length

Length	Colour	Set No.	Ref. No.
600mm	Natural	610-0705	610-0705
	Black anodised	610-0713	610-0713
1200mm	Natural	610-0704	610-0704
	Black anodised	610-0097	610-0097
1700mm	Natural	610-0056	610-0056
	Black anodised	610-0055	610-0055
2250mm	Natural	610-0096	610-0096
2400mm	Natural	800-1344	800-1344
2500mm	Natural	800-1440	800-1440
	Black anodised	800-1441	800-1441
3150mm	Natural	800-0021	800-0021
3300mm	Natural	800-1384	800-1384
3600mm	Natural	800-1442	800-1442
	Black anodised	800-1443	800-1443
4150mm	Natural	800-0020	800-0020
4400mm	Natural	800-1405	800-1405
5200mm	Natural	800-1317	800-1317
6000mm	Natural	800-1055	800-1055
	Black anodised	800-0992	800-0992

* The first number in the designation of the rail profiles stands for the moment of inertia cm⁴ and the second number describes the height mm of the rail.



Technical amendments reserved.
2024 © Mounting Systems GmbH